



Air Conditioning & Heating

TWC SERIES
10 SEER

Through-the-Wall
Air Conditioner

1½ to 2½ Ton



The TWC through-the-wall air conditioner is designed for wall-mount application.



Standard Features

- Hermetically sealed compressor (scroll compressor for 2 and 2½ ton models)
- Quiet operating rear discharge
- Totally enclosed and permanently lubricated condenser motor
- Copper tube/aluminum fin coil
- Brass suction and liquid service valves
- Fully charged for 15' of tubing length
- Factory-installed liquid line filter drier
- Contactor with ground lug connection

Air Handler and Coil Compatibilities

- ARPT, ARUF, and AEPT multi-position electric heat air handlers
- ARPF dedicated downflow electric heat air handler
- AWB vertical wall-mounted electric heat air handler
- AH vertical wall-mounted hydronic heat air handler
- AC ceiling-mounted electric heat air handler
- ACHP ceiling-mounted hydronic heat air handler
- MBR/MBE modular blower
- CA and CH fan-less indoor coils
- U and UC fan-less indoor coils designed to fit our furnace units for cooling applications

Cabinet Construction

- Polyester powder paint finish provides premium durability and improved UV protection
- Heavy-gauge, zinc-clad, G90 galvanized steel
- Cabinet design allows coil removal from front of cabinet without removing chassis from wall

Accessories

- Standard room thermostat with 1 stage cool/1 stage heat (CHT18-60)
- Sound blanket

TWC18-1	CSB-10
TWC24-1	CSB-11
TWC24-1 REV A	CSB-13
TWCR30-1	CSB-12
- Architectural grille available in anodized aluminum finish (AG-01) or painted finish (AG-02); grilles to be ordered directly from Reliable Metal at (800/239-4621)

NOTE: The use of any grille other than the AG-01 or AG-02 will void warranty.



PRODUCT SPECIFICATIONS

Specifications

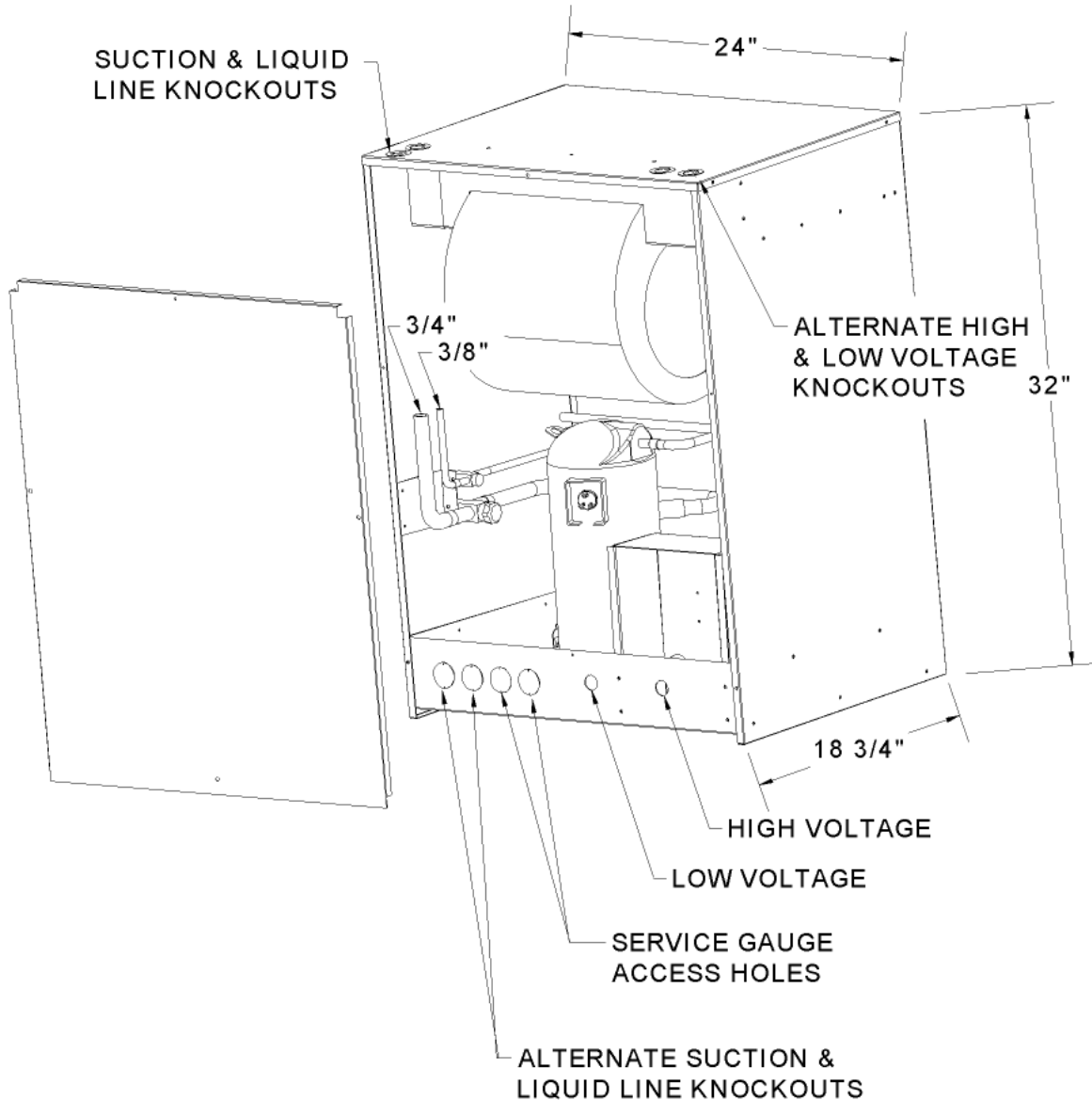
Model	Service Valve		Type	Approximate Shipping Weight (pounds)
	Liquid	Suction		
TWC18-1A/-1B	3/8"	3/4"	Sweat	185
TWC24-1/-1B	3/8"	3/4"	Sweat	185
TWCR30-1/-1B	3/8"	3/4"	Sweat	190

Electrical Data

Model	Volts	PH	Minimum Circuit Ampacity ¹	Maximum Overcurrent Protection ²	Maximum Volts	Minimum Volts	Compressor		Condenser Fan	
							RLA	LRA	FLA	HP
TWC18-1A/-1B	208/230	1	12.0	20	253	197	8.6	49	1.2	1/4
TWC24-1/-1B	208/230	1	16.0	20	253	197	11.85	59	1.2	1/4
TWCR30-1/-1B	208/230	1	18.2	30	253	197	13.6	67	1.2	1/4

- 1) Wire size should be determined in accordance with National Electrical Codes. Extensive wire runs will require larger wire sizes.
- 2) May use fuses or HACR type Circuit Breakers of the same size as noted.
- 3) The *-B models are painted Architectural Gray. All other models are painted Bahama Beige.

Dimensions



PRODUCT SPECIFICATIONS

Performance Ratings

Condenser	Evaporator Model	Total BTUH	Sensible BTUH	SEER	EER	ARI Ref. #	Decibel
TWC18-1A/-1B	AH2429-1	18,000	13,000	10	9	504162	75
	AC18-XX	18,000	13,000	10	9	504163	
	AWB18-XX	17,400	12,400	10	9	233774	
	ACHP1819-1	17,400	12,400	10	9	504157	
	AWB18-XX	17,400	12,400	10	9	504158	
	U18/UC18+EEP	17,000	12,300	10	9	292093	
	U18/UC18+EEP	17,000	12,300	10	9	467415	
	CA*F018*2A+EEP	17,000	12,300	10	9	467684	
	ARUF018-00A-1	17,000	12,300	10	9	504161	
TWC24-1/-1B	AC30-XX	24,000	17,600	10	9	233795	73
	CA*F030*2A+EEP	24,000	17,600	10	9	467685	
	U31+EEP	24,000	17,600	10	9	467686	
	ACH30	23,400	17,000	10	9	233787	
	AWB24-XX	23,400	17,000	10	9	233788	
	AC24-XX	23,400	17,000	10	9	233793	
	AH3043-1	23,400	17,000	10	9	233801	
	ACHP3028-1	23,400	17,000	10	9	292095	
	ARUF024-00A-1	23,000	16,800	10	9	461471	
TWC30-1/-1B	AEPT030-00A-1	27,400	20,200	10	9	461474	73

1) Seasonal Energy Efficiency Ratio

2) Energy Efficiency Ratio @ 80 °F/67 °F Inside; 95 °F outside

3) When matching the outdoor unit to the indoor unit, refer to the piston kit chart for proper piston selection.

4) The XX of a model number designates electric heat quantity.



Goodman Manufacturing Company, L.P. reserves the right to discontinue, or change at any time, specifications or designs without notice or without incurring obligations.
Copyright © 2004 Goodman Manufacturing Company, L.P. • Houston, Texas • Printed in the USA. • Goodman® brand products are made proudly in the USA.